

Fxsolar Ground Terrace IV

# FXSOLAR Ground Terrace IV

**FXSOLAR Ground Terrace IV (GT IV)** is a ground solar PV mounting system developed from GT III for middle-large solar PV projects. Besides being pre-assembled before shipping, GT IV will realize minor adjustment of height of and interval between supports to adapt to different ground conditions. The professional and optimized design also contributes to reducing the time cost of installation.



Fxsolar Ground Terrace IV



## FXSOLAR Ground Terrace IV

### Technical Parameters

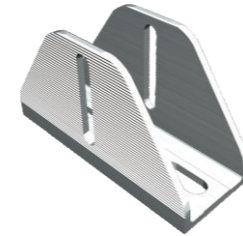
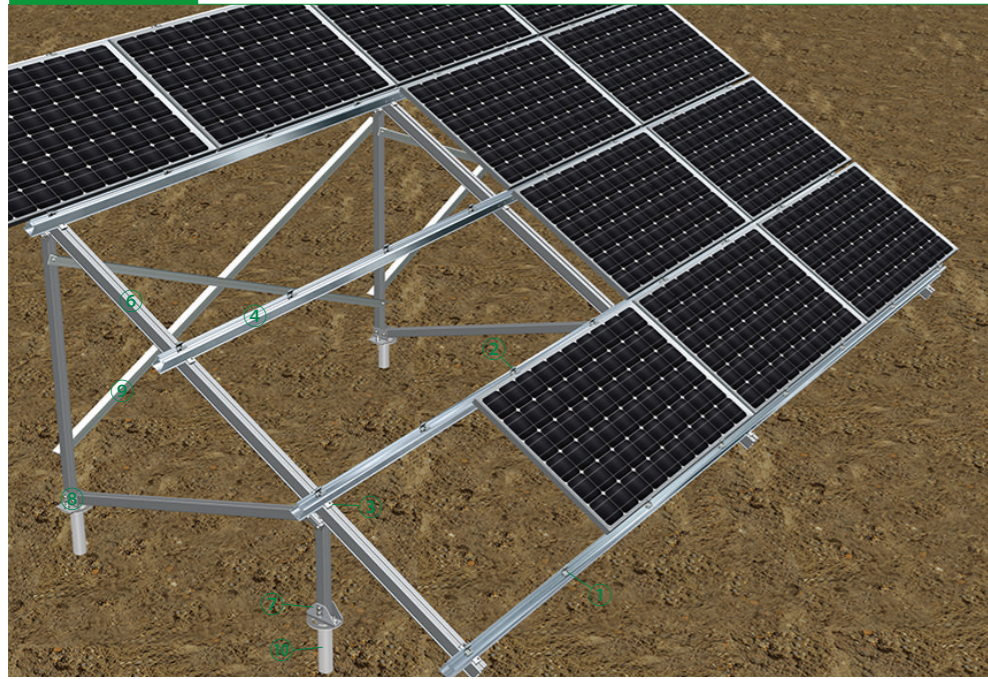
Installation Site	Ground	Wind Load	60m/s
Foundation	Concrete Base or Ground Screw	Snow Load	1.6KN/M2
Tilt Angle	5-60°	Ground Clearance	500-2000mm
Applicable Module	Framed or Frameless	Module Orientation	Portrait or Landscape
Design Standard	AS/NZS 1170, DIN 1055, JIS C 8955: 2011 International Building Code: IBC 2009 California Building Code: CBC 2010		
Material	Aluminum Al6005-T5 (Anodized)	Color	Silver or Customized
Fastener	Stainless Steel SUS304	Warranty	10 Years
Small Components	Aluminum Al6005-T5 (Anodized)		

### Advantages

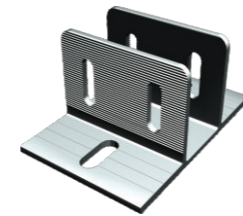
1. GT IV supports will be fully pre-assembled before shipping, which saves substantial installation time on site;
2. The adjustable anchor plates help to adjust the position of supports, especially when installed on concrete columns or ground screws;
3. If combiner boxes, inverters or back side supports are needed to be fastened to GT IV, they could be installed directly on supports by T bolts without drilling on site;
4. The square tubes are conducive to improving the stability.

## FXSOLAR Ground Terrace IV

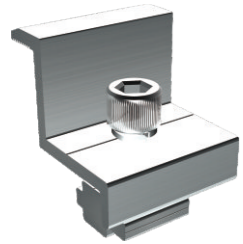
### Preview



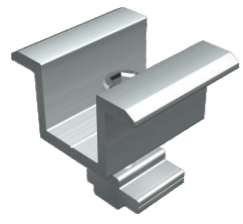
7. Corrugated U Anchor Plate Kit



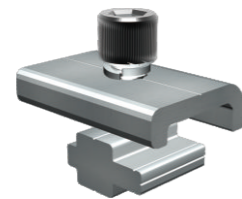
8. Corrugated T Anchor Plate Kit



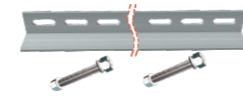
1. Wide End Clamp Kit



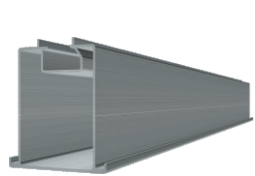
2. U27 Inter Clamp Kit



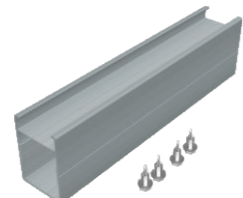
3. C Clamp Kit



9. Back Side Support



4. Beam 85



5. Splice for Beam 85



6. GT4 Pre-Assembled Supports



10. Ground Screw

### Component List

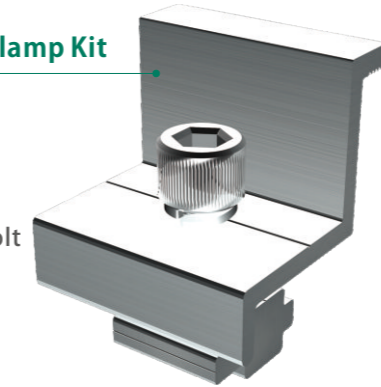
No.	Item	No.	Item	No.	Item
01	Wide End Clamp Kit	05	Splice for Beam 85	09	Back Side Support
02	U27 Inter Clamp Kit	06	GT4 Pre-Assembled Supports	10	Ground Screw
03	C Clamp Kit	07	Corrugated U Anchor Plate Kit		
04	Beam 85	08	Corrugated T Anchor Plate Kit		

## FXSOLAR Ground Terrace IV

### Component Details

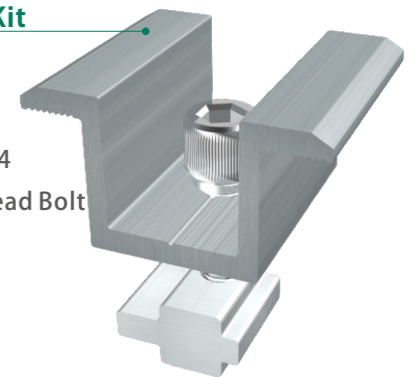
#### FX-BEC-ST Wide End Clamp Kit

Wide End Clamp  
Cross Module  
Spring Washer M8.4  
Hexagon Socket Head Bolt



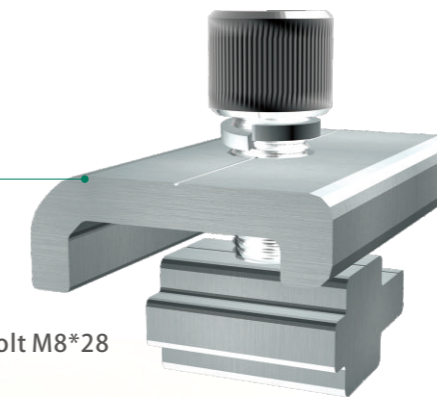
#### FX-IC-U27 U27 Inter Clamp Kit

U27 Inter Clamp  
Cross Module  
Spring Washer M8.4  
Hexagon Socket Head Bolt  
Washer M8



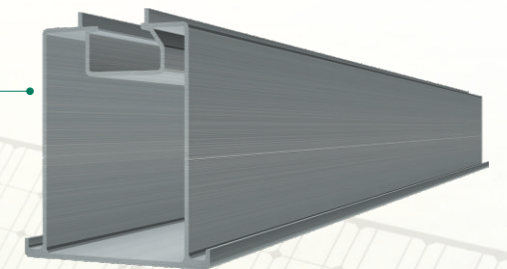
#### FX-CC-T C Clamp Kit

C Clamp  
Cross Module  
Spring Washer M8.4  
Hexagon Socket Head Bolt M8\*28



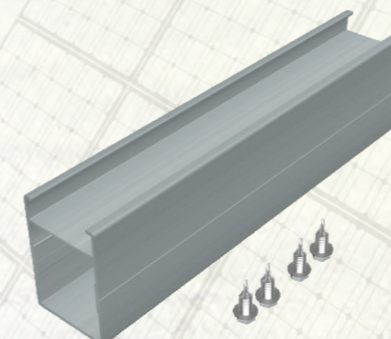
#### FX-R-85 Beam 85

Specification:  
L\*63.5\*85/L\*71\*85  
Standard Length:  
3100, 4100, 5100mm



#### FX-SP-B85 Splice for Beam 85

Splice for Beam 85 L260mm  
Flange Head Self-Tapping Screw ST6.3\*19



## FXSOLAR Ground Terrace IV

### Component Details

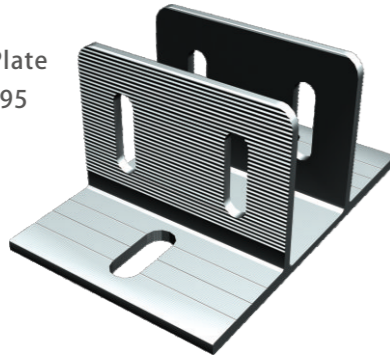
#### FX-GT4-S GT4 Pre-Assembled Supports



Side Beam 80	GT4 Square Tube B	Hexagon Bolt M12*90
C Clamp 80	GT4 Square Tube C	Washer M8.4
Front T Joint	Washer M12.4	Spring Washer M8.4
Back T Joint	Spring Washer M12.4	Hexagon Socket Head Bolt
GT4 Square Tube A	Hexagon Nut M12	

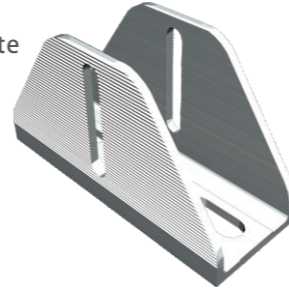
#### FX-GT4-AA Corrugated T Anchor Plate Kit

Corrugated Spacer  
Corrugated U Anchor Plate  
Hexagon Bolt Kit M12\*95



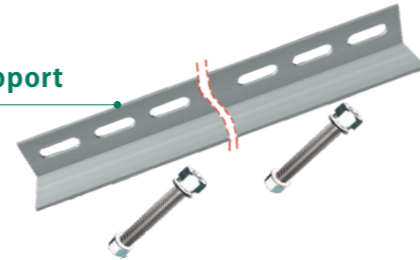
#### FX-GT4-UP GT4 Corrugated U Anchor Plate Kit

Corrugated Spacer  
Corrugated U Anchor Plate  
Hexagon Bolt Kit M12\*95



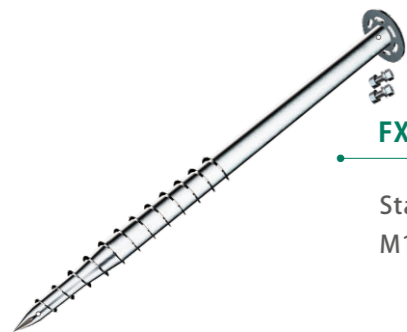
#### FX-GT3-AA Back Side Support

L\*42\*3  
M10\*90 Hexagon Bolt



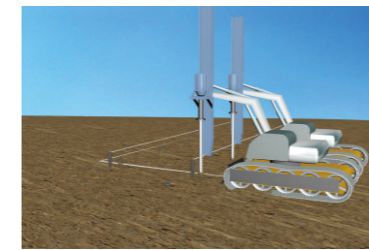
#### FX-GS-01 Ground Screw

Standard Length: 1600mm  
M14\*45 Hexagon Bolt



## FXSOLAR Ground Terrace IV

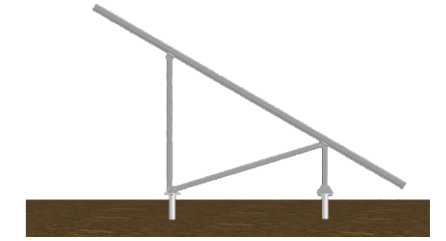
### Installation Guide



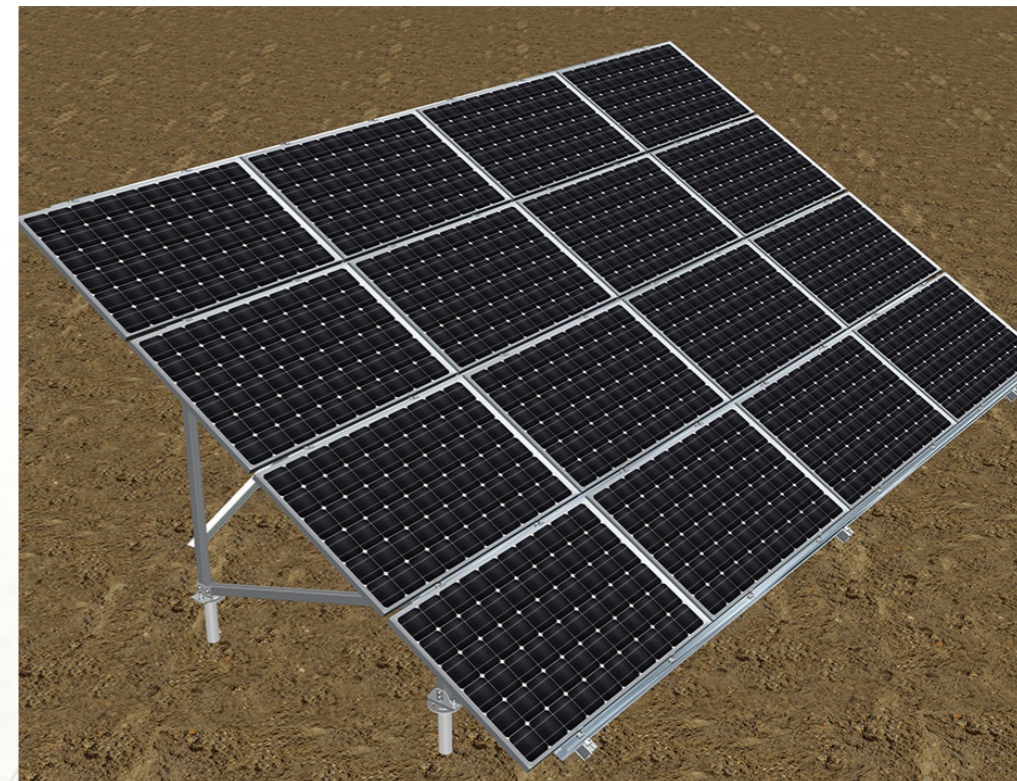
1. Pile Ground Screws by pile drivers at certain positions and depth as indicated in solution drawings



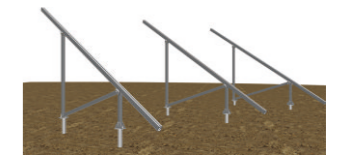
2. Fasten the Corrugated U Anchor Plate and the Corrugated T Anchor Plate on the flange plates of Ground Screws by M14 bolts



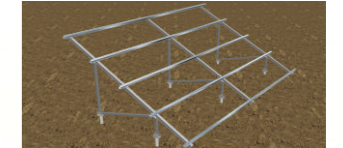
3. Connect the front support of GT4 Pre-Assembled Supports to the Corrugated U Anchor Plate, and the back support to the Corrugated T Anchor Plate



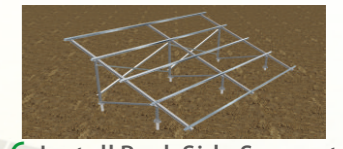
8. The installation is complete



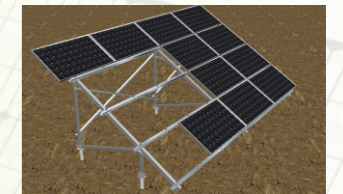
4. Install other GT4 Pre-Assembled Supports



5. Install Rails



6. Install Back Side Supports



7. Fasten solar PV modules by U27 Inter Clamp Kits and Wide End Clamp Kits